



Operator Interface

T E C H N O L O G Y

Rugged Keypads and Keyboards

Ultimate Rugged Keyboard



Powder coated aluminum bezel with chrome plated zinc keys and stainless steel trackball

- Hospitals
- Kiosks
- Public environments
- Military
- Manufacturing
- Vandal resistant
- Panel mount or desktop
- High speed USB or PS2
- Weep-hole design
- Sealed to NEMA 4/IP65
- Stainless steel trackball
- Standard key spacing
- Programmable features
- Hidden functions



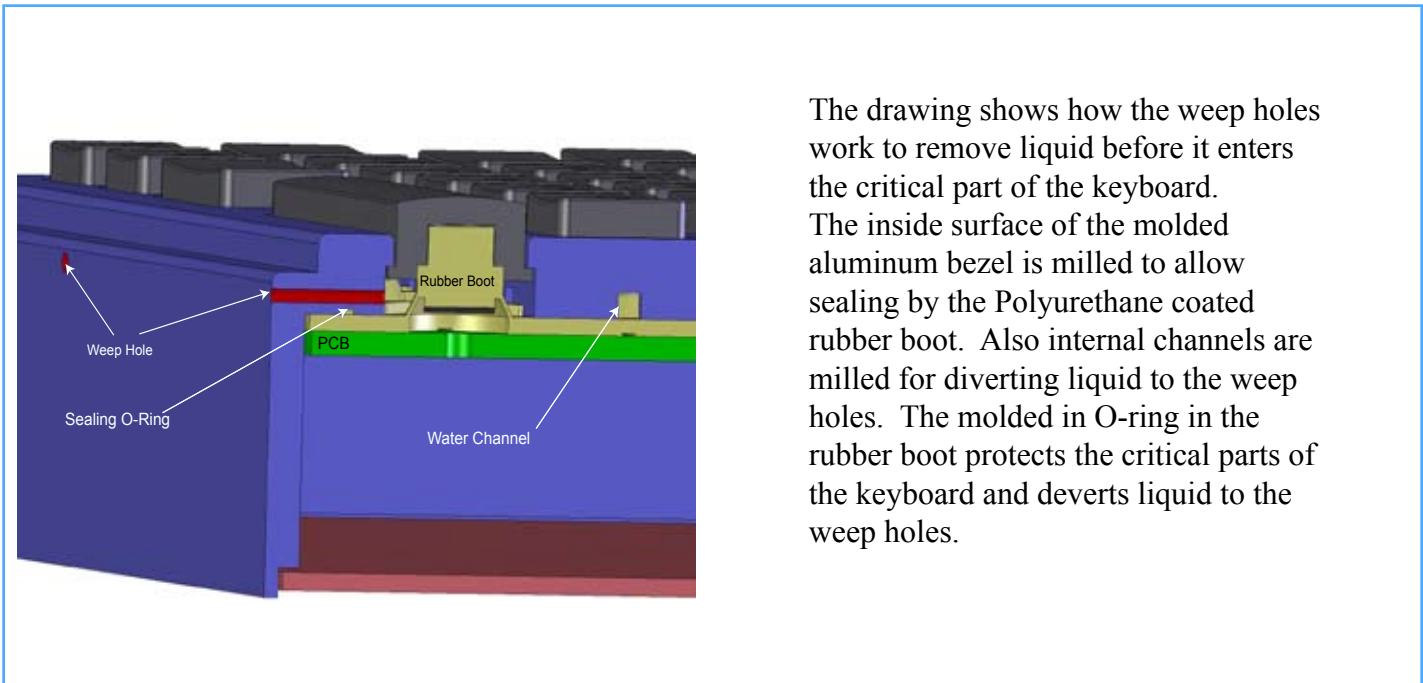
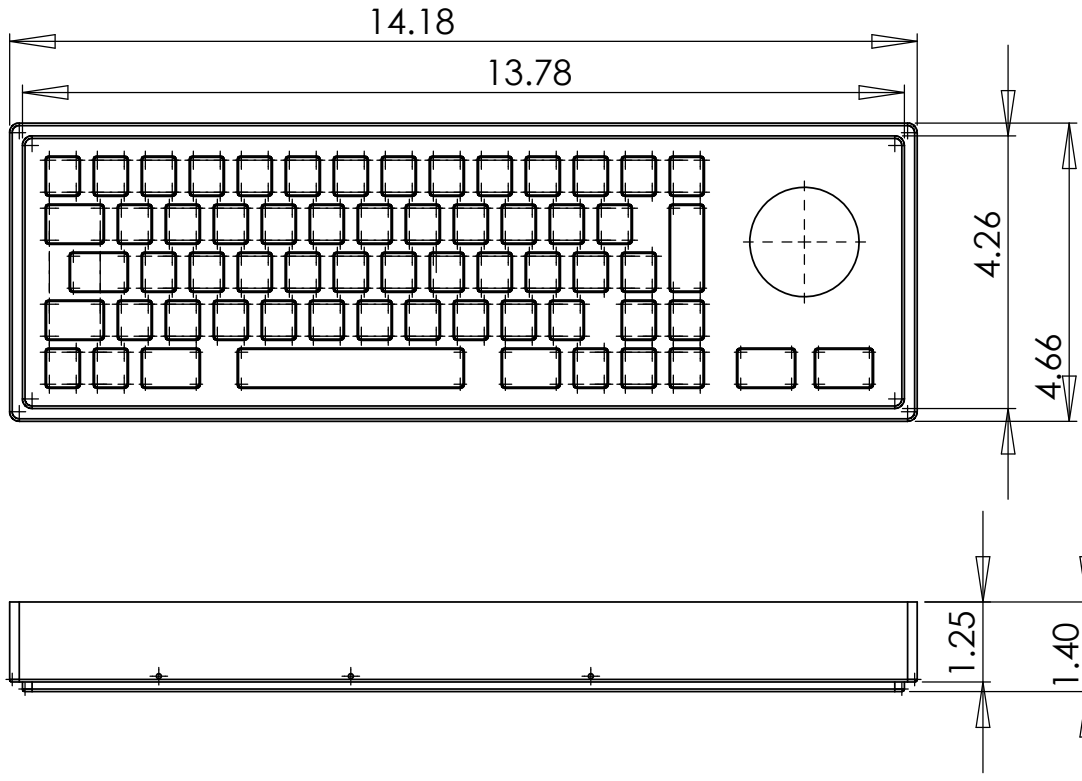


Operator Interface

Ultimate Rugged Keyboard

T E C H N O L O G Y

Rugged Keypads and Keyboards





Operator Interface

Ultimate Rugged Keyboard

T E C H N O L O G Y

Rugged Keypads and Keyboards

OIT has created the **Ultimate Rugged Keyboard** for kiosks, hospitals and other severe public environments. The captive design of the keys makes it virtually impossible to remove the keys after installation of the keyboard. The key legends are molded in so they can never wear off. The weep hole design of the keyboard evacuates all liquid before it can enter the internal portions of the keyboard. The trackball has a impact resistant design and also has a Teflon® sealing ring for smooth operation and a perfect seal.

Technical Specifications

Dimensions

Overall 14.18" (360mm) x 4.66" (118mm) x 1.4" (35.5mm)
Cut-out 13.78" (350mm) x 4.26" (108mm)

Keys

Tactile feel
Switch life 4 Million
Key travel .080" (2mm)
Nominal key force 100 grams

Communication

High speed USB (one cable)
PS/2 (two cables)
Auto-boot (no driver needed)

Environmental

FCC Part 15 emissions
Sealing NEMA 4/IP65
Operating temperature -20°C to 60°C

Trackball

Impact resistant design with Teflon® seal
Stainless steel ball

